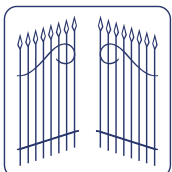




MEC 200

Electro-mechanical sliding gate operator



FADINI[®]
the gate opener
Made in Italy





Electro-mechanical sliding gate operator

MEC 200

MEC 200's, electromechanical equipment, both vertical and horizontal, have been designed to be installed on any gates, even of considerable dimensions, as they can stand very well settling and expansion effects that gates usually undergo.

They are made of die cast aluminium and have a large cover that can house a programmer in a proper seat. The programmer transmits the commands of the logics and performs either automatically or semiautomatically and is connected to devices that avoid running over and crushing, as required in conformity with EN 12453, EN 12445 safety regulations. Driving movements perform in oil bath.

The steel shaft and the gear, made of special bronze, are supported by bearings, and the worm is coupled to steel and brass disks providing torque control. The clutch is adjustable from outside so that the driving force achieved can be controlled to avoid crushing, in case of power failure the electromechanical assembly is equipped with emergency release acting on the central shaft, and by means of a spanner it is possible to unlock the operator and operate the gate manually. MEC 200's are also provided with a safety switch that cuts off low tension current whenever the cover is taken off or the release spanner is inserted, with incorporated limit switches and stop plates and with a bracket and bolts to fasten the operator to the ground.

MEC 200's - vertical and horizontal - can be requested with horse power rating: 0.5 HP - 1.0 HP - 1.5 HP. The first two models are both three-phase and single-phase, 1.5 HP model is three phase only.

MEC 200 motor reducers have been studied and achieved after long experience in the sector of automatic gate openers and are constructed entirely by Meccanica Fadini whose prestige and reliability have made it one of the most advanced firm in this line.



Cover

Adjustment spanner

Zinc-coated steel rack

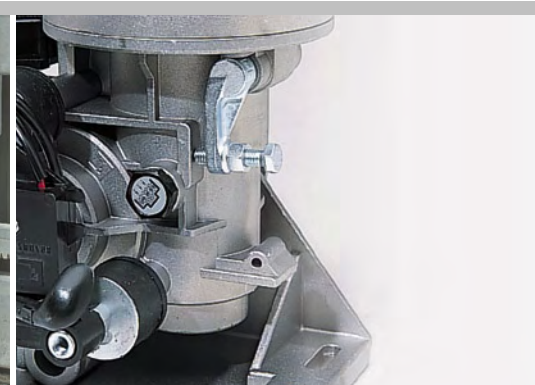
Rubber profile to cut off power by mechanical wire



Electro-mechanical operator, horizontal



Electro-mechanical operator, vertical



Adjustable clutch



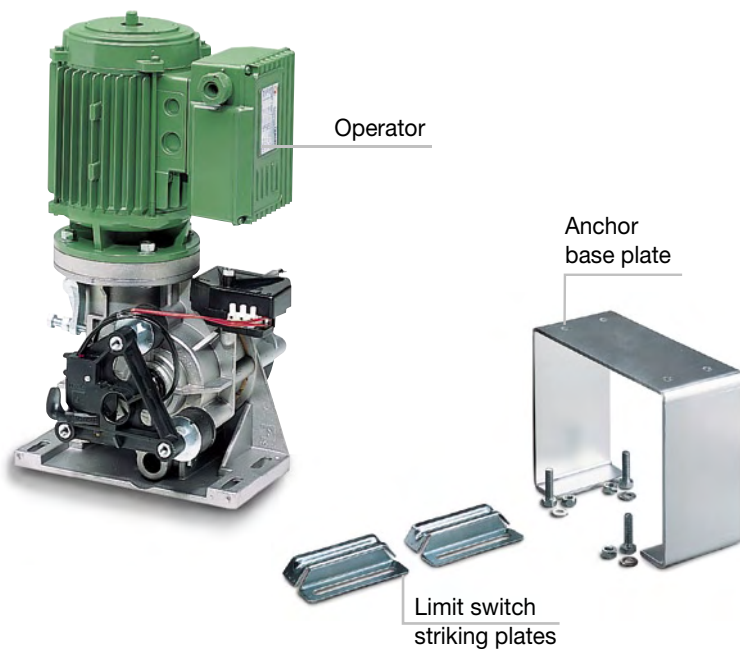
Accessories



ELPRO 10 PLUS CEI
electronic programmer



PRIT 19
keyswitch



PULIN 3
button switch



MIRI 4
flashing lamp



BIRIO A8
rod aerial



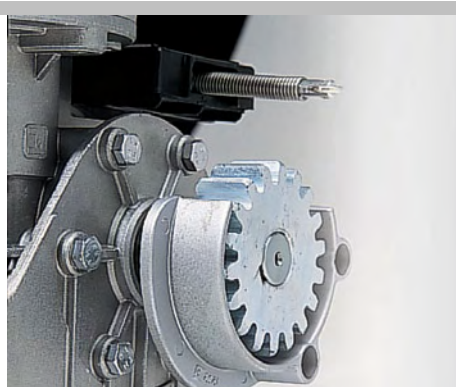
POLO 44
photocells



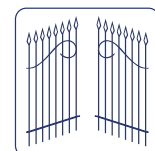
ASTRO 43/1 R
radio receiver



ASTRO 43/2 TR
quartz transmitter



Details: limit switch
and gear protection



FADINI
the gate opener
Made in Italy

MEC 200 Gate operator

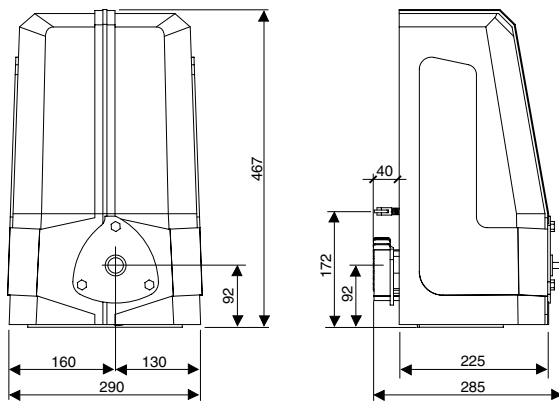


Electric Motor					
	Single-phase	Three-phase	Single-phase	Three-phase	Three-phase
Power output	0.37 KW (0.5 HP)	0.37 KW (0.5 HP)	0.73 KW (1 HP)	0.73 KW (1 HP)	1.1 KW (1.5 HP)
Supply voltage / Frequency	230 V - 50 Hz	230/400 V - 50 Hz	230 V - 50 Hz	230/400 V - 50 Hz	230/400 V - 50 Hz
Absorbed power	510 W	575 W	1'130 W	1'030 W	1'500 W
Absorbed current	2.4 A	2.1/1.2 A	5.7 A	3.7/2.2 A	5.1/3 A
Motor rotation speed	1'380 rpm	1'380 rpm	1'380 rpm	1'380 rpm	1'380 rpm
Capacitor	20 µF		30 µF		
Intermittent service	S3	S3	S3	S3	S3
Operator					
	Single-phase	Three-phase	Single-phase	Three-phase	Three-phase
Max torque	40 Nm	40 Nm	80 Nm	80 Nm	110 Nm
Gear ratio	1/32				
Travelling speed	9,6 m/min.				
Working temperature	-20°C +80°C				
Oil type	Agip Rotra THT - W 80 - Kg 0.22				
Max. gate weight	400 Kg	450 Kg	800 Kg	850 Kg	1'200 Kg
Weight of Mec 200 vertical	19 Kg	18 Kg	23 Kg	21 Kg	25 Kg
Weight of Mec 200 horizontal	19.5 Kg	18.5 Kg	23.5 Kg	21.5 Kg	25.5 Kg
Protection standard	IP 557				
Duty cycle	25 sec. Open - 30 sec. Dwell - 25 sec. Close				
Time of one complete cycle	80 sec.				
Complete cycles Open - Dwell - Close	No. 45/hour				
Cycles a year, 8 hours a day	No. 131'000				

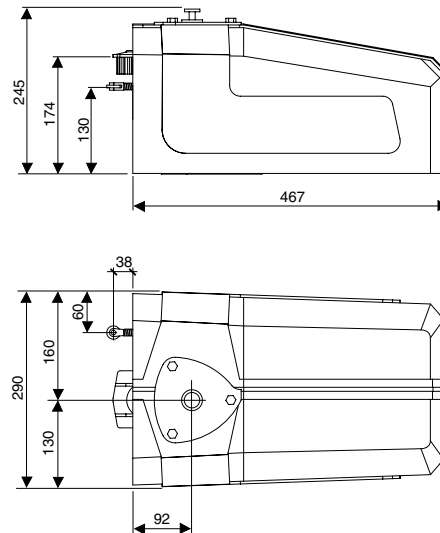
WARNINGS

- Dispose properly of packaging materials (cardboard, polystyrene, nylon) through specialized companies.
- All the electrical equipment must be properly earthed.

VERTICAL



HORIZONTAL



We recommend that installation complies with applicable regulations, the instructions enclosed and EN 12453 and EN 12445 standards in observance of essential EC requisites

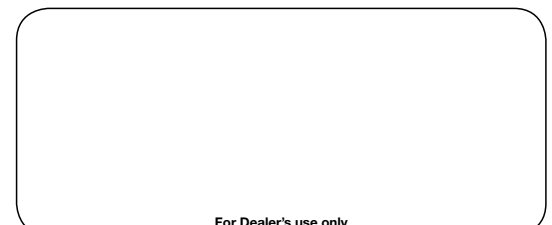


Directive 2003/108/EC
 Disposal of electric and electronic material
DO NOT DISPOSE OF AS NORMAL WASTE
HARMFUL TO THE ENVIRONMENT



AUTOMATIC GATE MANUFACTURERS

Via Mantova, 177/A - 37053 Cerea (Verona) Italy
 Tel. +39 0442 330422 r.a. - Fax +39 0442 331054
 e-mail: info@fadini.net - www.fadini.net



For Dealer's use only

The Manufacturer reserves the right to make changes to the product without giving notice